

VAD wall sounder beacon:



714q/01
 714q/02



0832-CPR-F0319
 0832-CPR-F0320

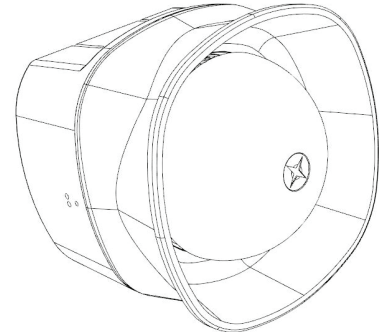


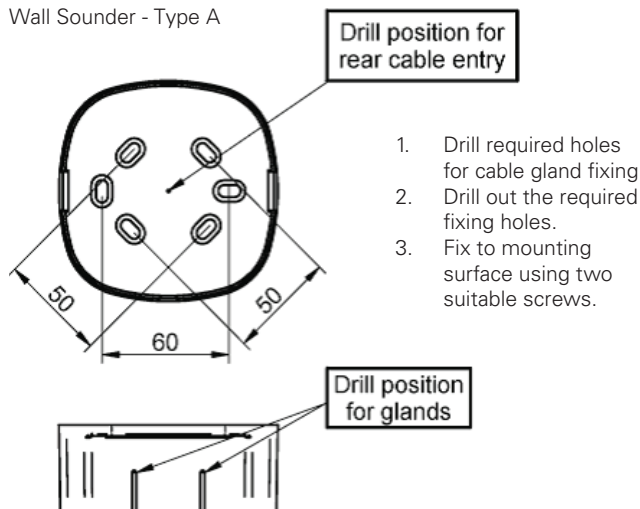
Table 1. Specification

Supply Voltage	19 – 30vdc
Cable Size / type	0.5 - 2.5mm/ FIRETUF, FP200 or MICC
Standby current	< 450 uA
Operating temperature	-10 to +55 degrees C (95%RH)
Sound output @ +/-3dB (set by panel)	Low volume : 87dB @ <8.6mA Medium volume : 93dB @ <10mA High volume : 100dB @ <11mA
Environment Category CASB393	Type A
Environment Category CASB393WV	Type B
Compliance	EN54-3 Fire Alarm Device – Sounder EN54-17:2005 EN54-23:2010 Fire Alarm Device - VAD
Tones (set by panel)	Continuous 984Hz Pulsed 984 / 0Hz pulse 1Hz* Two Tone 644 / 984Hz @ 1Hz cycle Slow whoop 500-1200Hz in 3.5 seconds / 0.5secs gap
Beacon	0.5Hz Flash

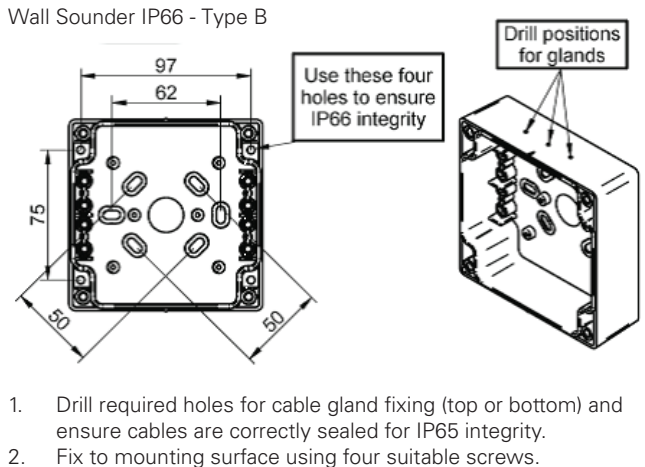
Total Loop Resistance for correct operation of short circuit isolator	50Ω (max)
Parallel Fault Resistance to be seen at the Control Panel for isolators to open	200Ω (typ)
Continuous Current allowable through isolator	700mA (max)
Isolator Resistance in closed state	0.26Ω (max)
Leakage Current into direct short circuit with isolator open	14mA (max)
Voltage at which isolator changes from open to closed or closed to open state	3.8V to 11V
Maximum switching current of isolator	1.5A

1. Mounting Base

Wall Sounder - Type A



Wall Sounder IP66 - Type B



All products meet minimum requirements of IP33C in accordance with EN54-3.



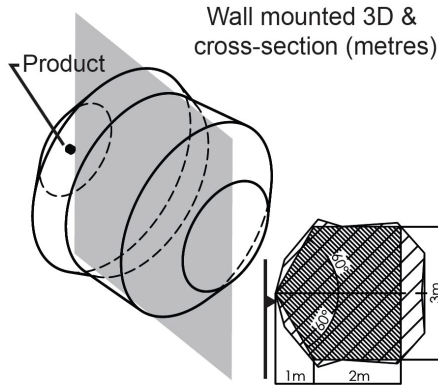
Powering Business Worldwide

Technical data

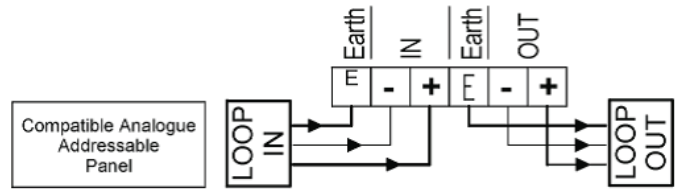
Effective December 2014

CASB393 / CASB393WP
 FXN559LPS / FXN559LPSWP
 MASB880 / MASB880WP

2. VAD Coverage Area



3. Connection details

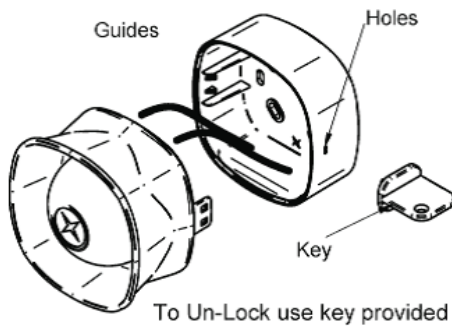


Warning

Do NOT use high voltage testers if ANY equipment is connected to the system.
 Earth screen must be continuous along entire length of the loop.

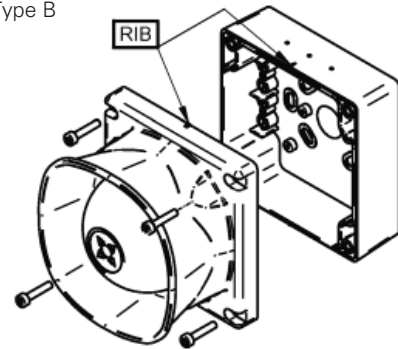
4. Sounder assembly

Wall Sounder - Type A



1. Clip sounder onto base.
2. Ensure cables do not put stress on the PCB.

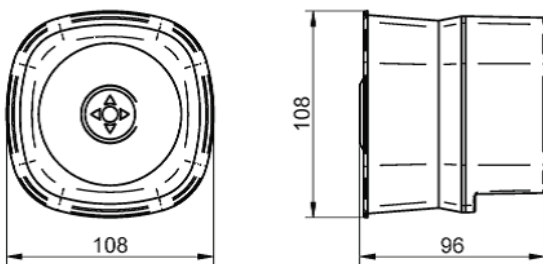
Wall Sounder IP66 - Type B



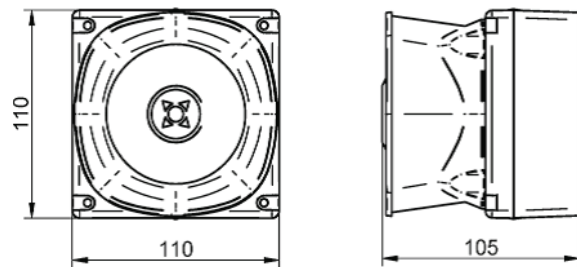
1. Location ribs must align on base and sounder
2. Ensure cables do not put stress on PCB.
3. Bolt Sounder to base.

5. Dimensions

Wall Sounder - Type A



Wall Sounder IP66 - Type B



Eaton
 Cooper Lighting and Safety Ltd
 Wheatley Hall Road
 Doncaster
 DN2 4NB
 United Kingdom
 www.cooperfire.com

Eaton
 EMEA Headquarters
 Route de la Longeraie 7
 1110 Morges, Switzerland
 www.eaton.uk.com/electrical

© 2014 Eaton
 All Rights Reserved
 Publication No. PR-000-00-565
 February 2014

Eaton is a registered trademark.

All other trademarks are property of their respective owners.